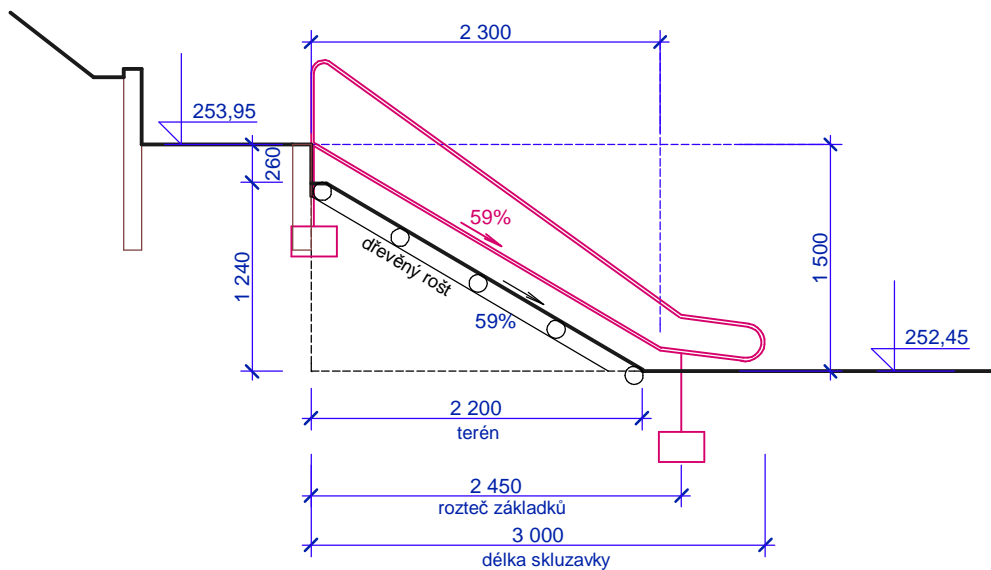




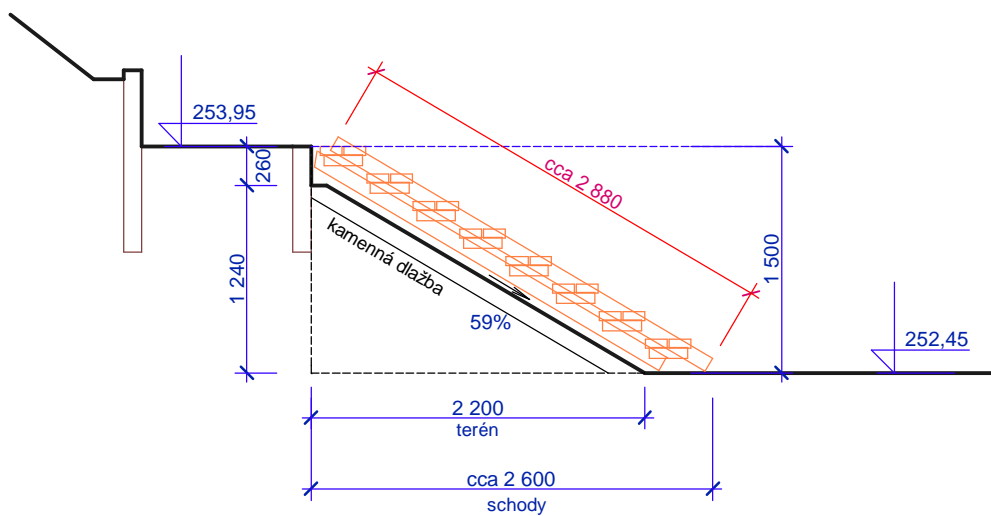
- Prvek č. 1** Sestava skluzavek a dřevěných schodů na svahu  
**Prvek č. 2** Sestava skluzavek a dřevěných schodů na svahu  
**Prvek č. 3** Dřevěné schody na svahu

## Schema osazení skluzavky



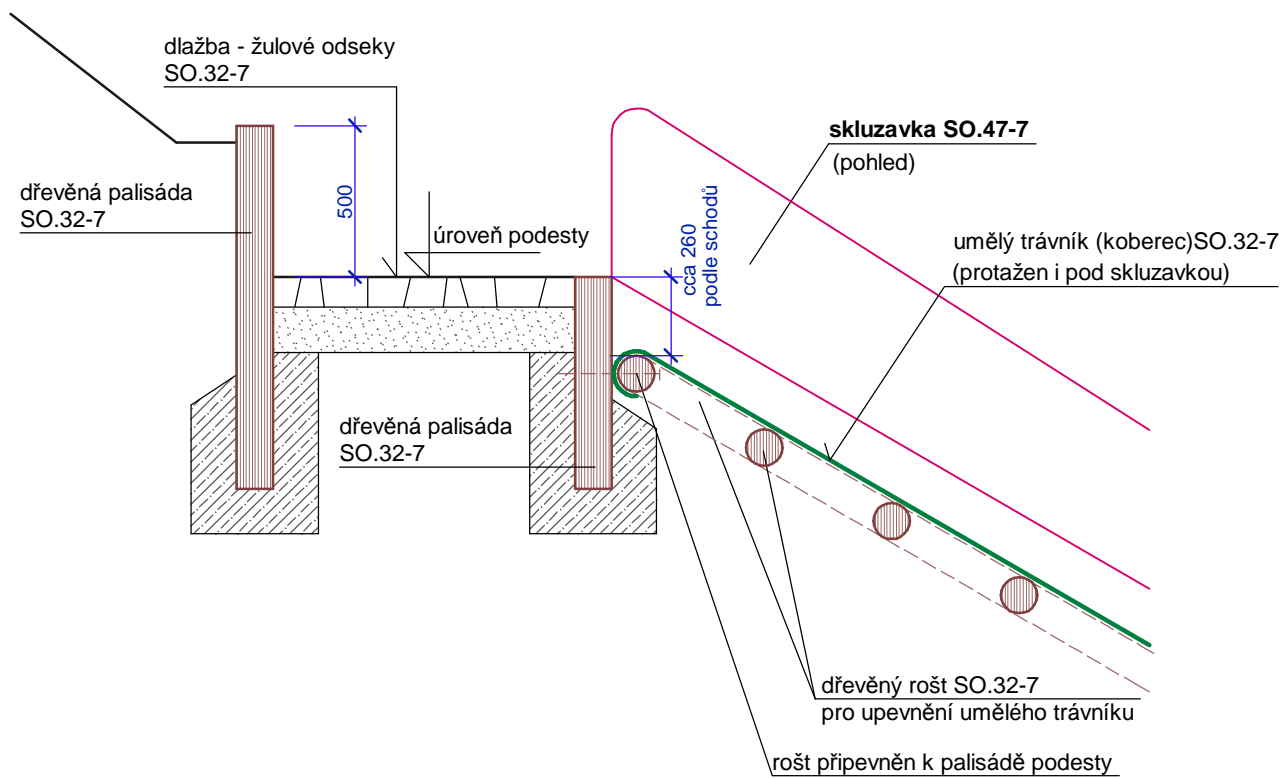
## Schema osazení schodů

(schody kresleny bez zábradlí a základů)

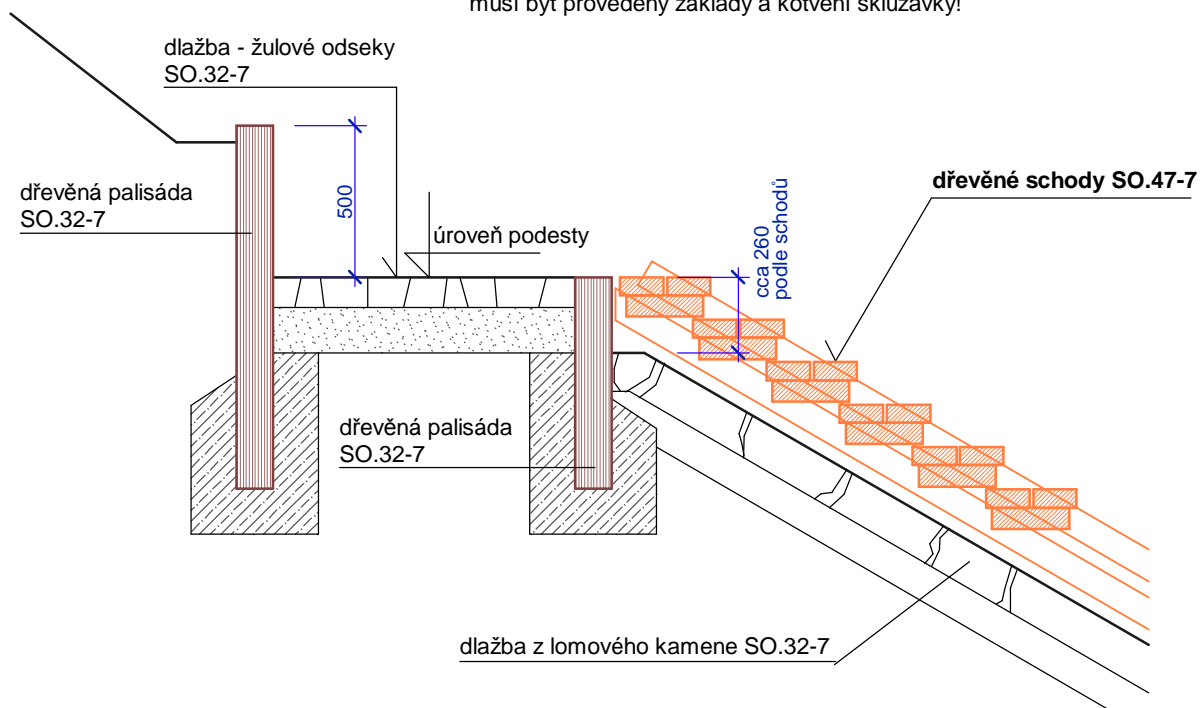


Prvek č. 1 Skluzavka - "Malá" sestava  
Schema osazení do terénu

měř. 1 : 50



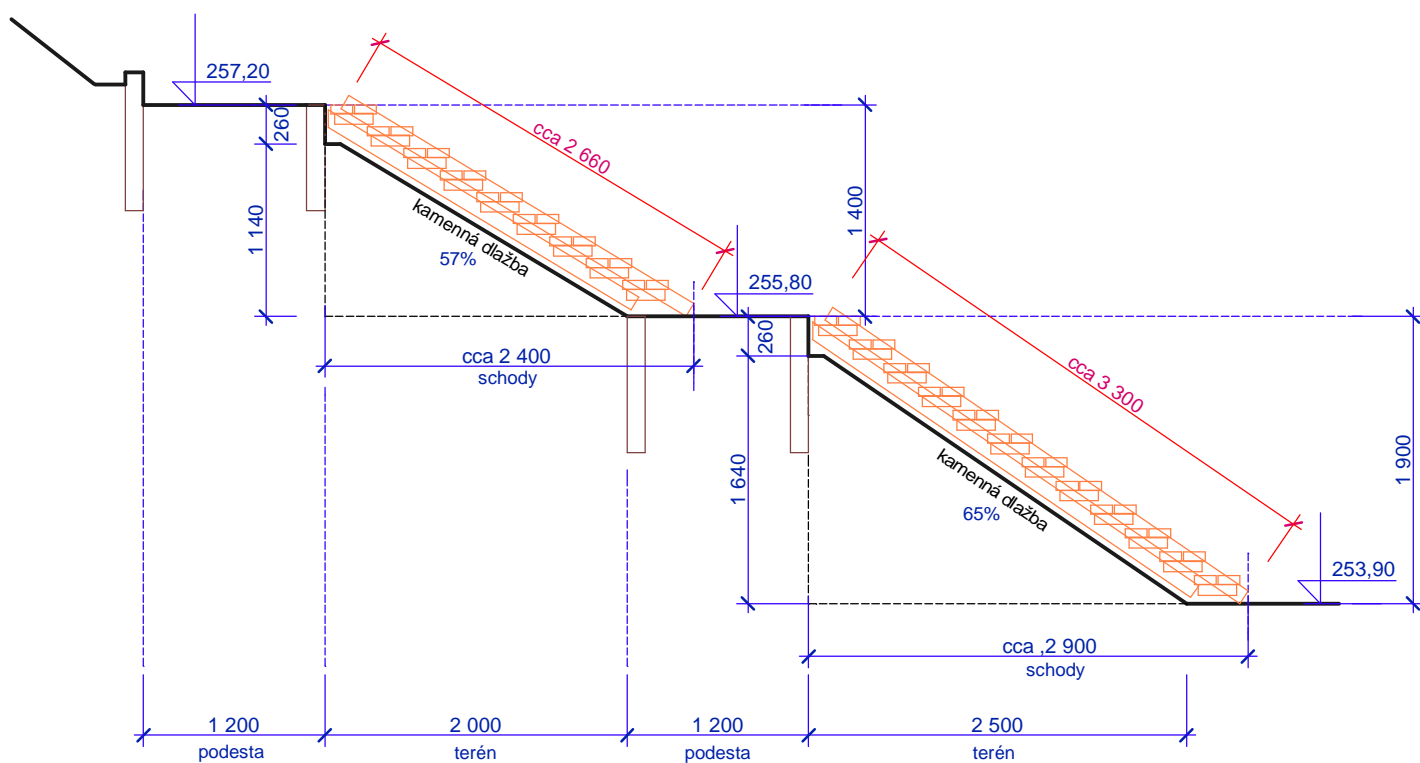
Poznámka  
rošt probíhá i pod skluzavkou, před položením umělého trávníku musí být provedeny základy a kotvení skluzavky!



Poznámka  
před dokončením dlažby se musí provést základy a kotvení dřevěných schodů !

**Detail napojení skluzavky a dřevěných schodů na podestu**

**měř. 1:25**

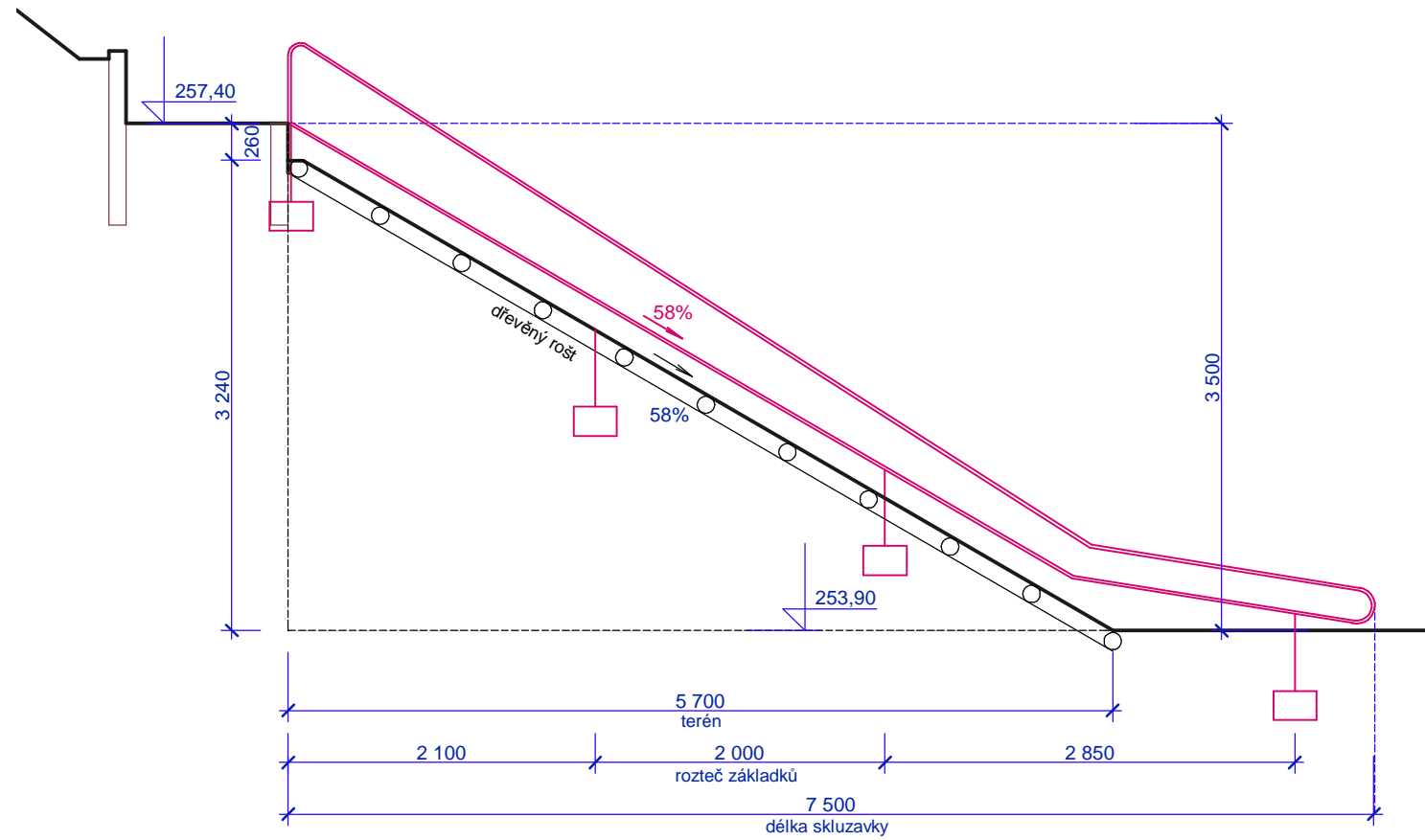


Poznámka  
Schody kresleny bez zábradlí a základů

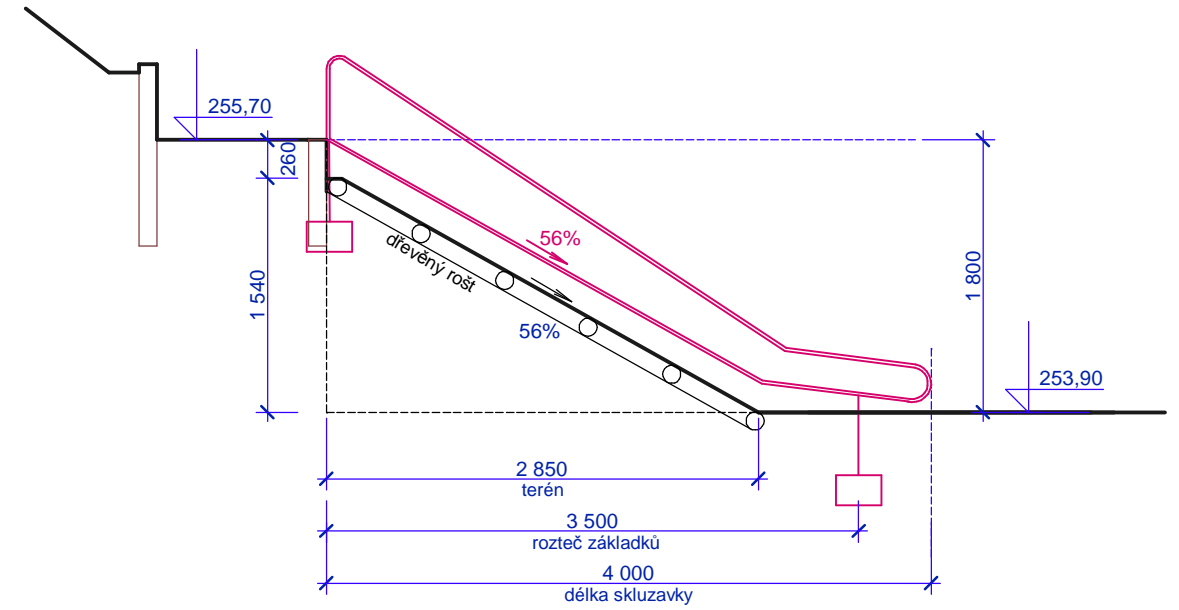
**Prvek č. 2 Skluzavka - "Velká" sestava**  
**Schema osazení schodů mezi skluzavkami do terénu**

měř. 1 : 50

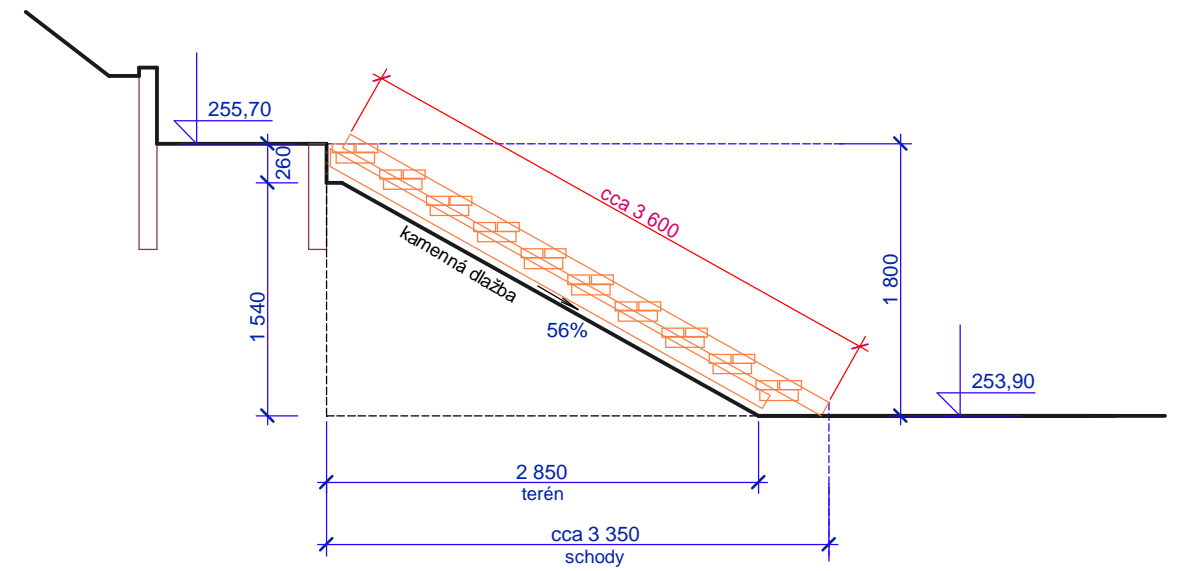
**Schema osazení skluzavky (velké)**



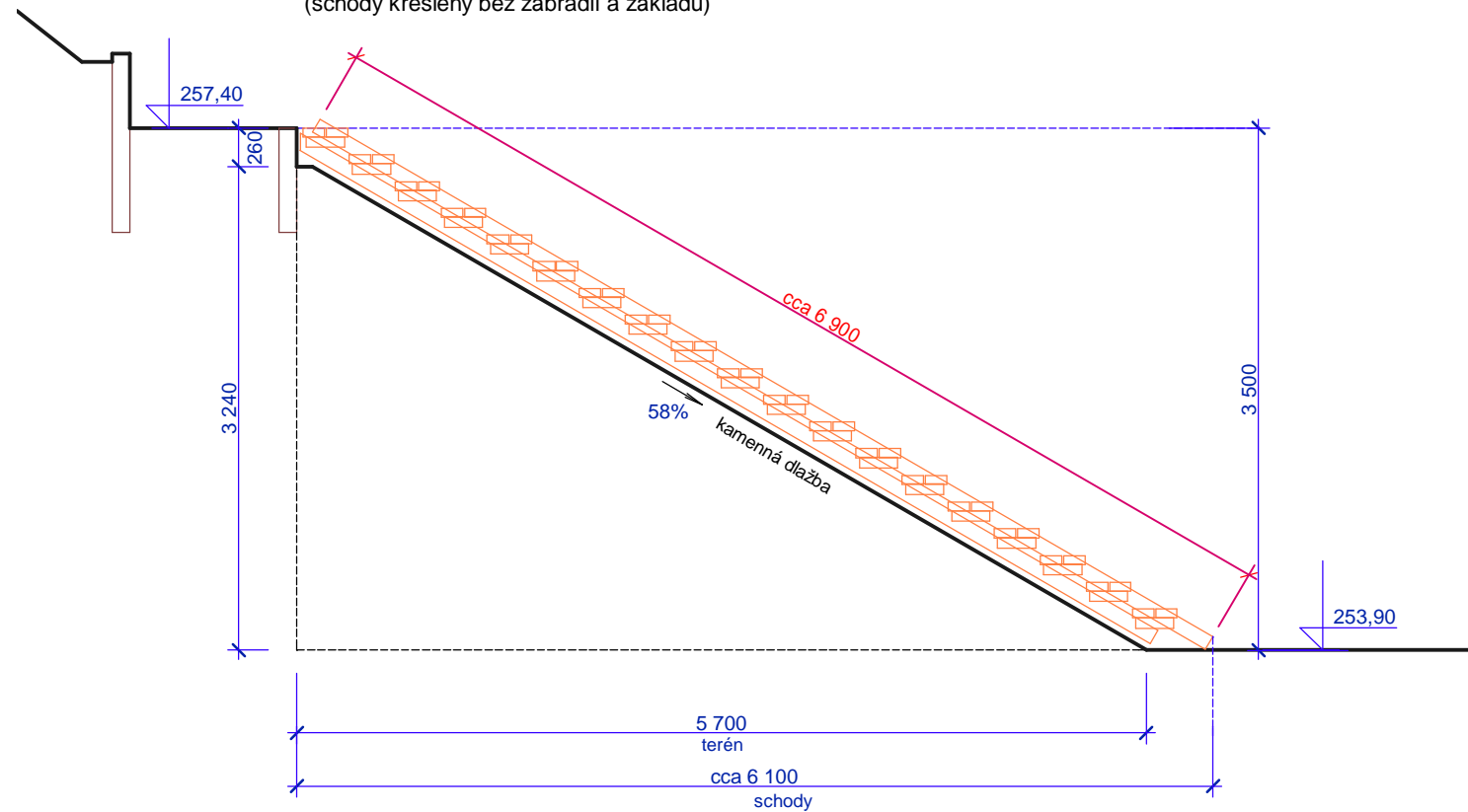
**Schema osazení skluzavky (malé)**



**Schema osazení schodů (bočních)**  
(schody kresleny bez zábradlí a základů)



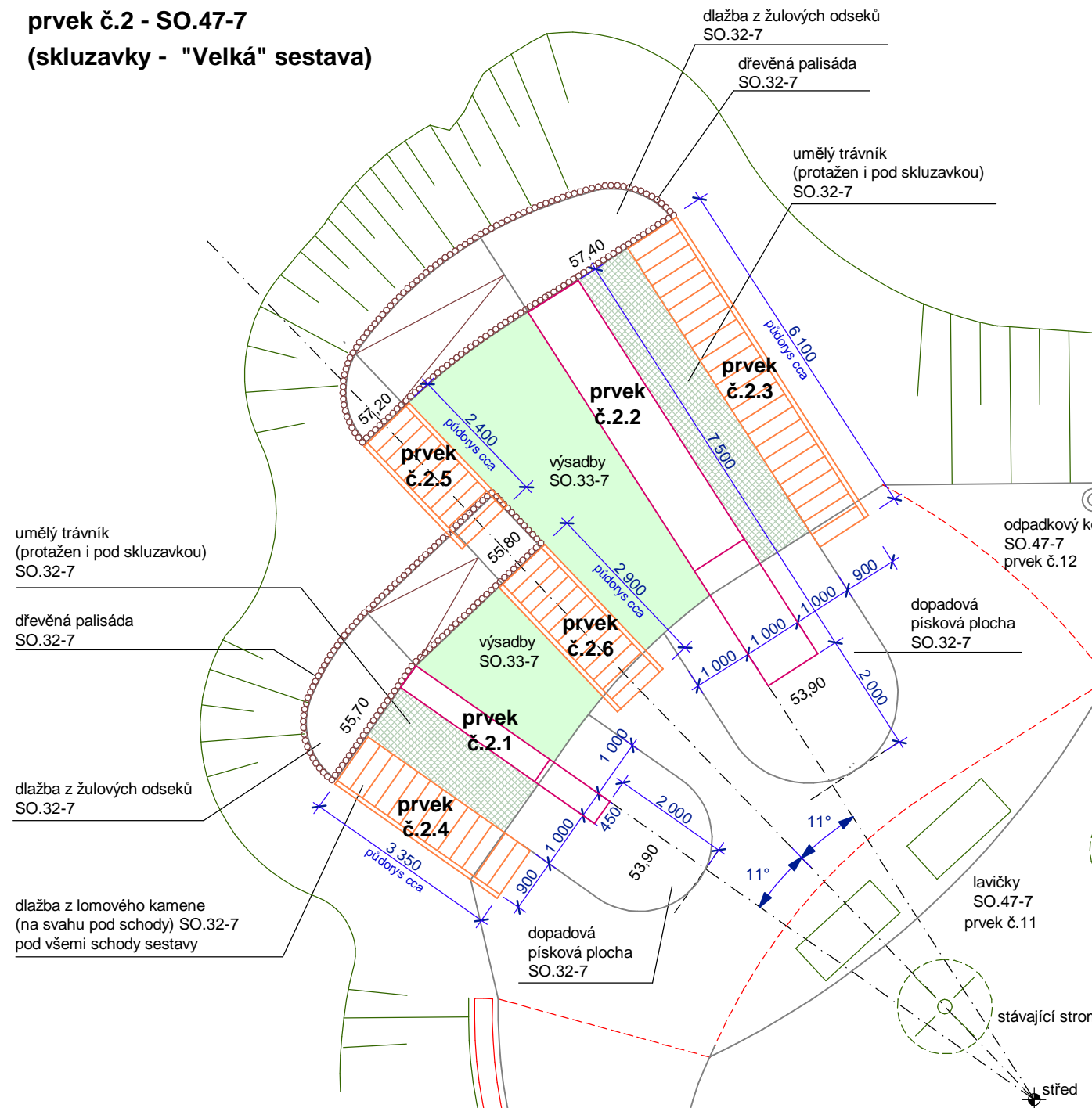
**Schema osazení schodů (bočních)**  
(schody kresleny bez zábradlí a základů)



**Prvek č. 2 Skluzavka - "Velká" sestava**  
**Schema osazení do terénu**

měř. 1 : 50

**prvek č.2 - SO.47-7**  
**(skluzavky - "Velká" sestava)**



**LEGENDA prvek č.2 ("Velká" sestava)**

- 2.1 skluzavka nerezová s bočnicemi - 1ks  
š.0,45m, na výšku 1,80m (HAGS 153 634)
- 2.2 skluzavka nerezová s bočnicemi - 1ks  
š.1,00m, na výšku 3,50m (HAGS 153 648)
- 2.3 dřevěné schody s jednostranným zábradlím (po pravé straně) - 3ks (napojené za sebou)  
2x š.0,90m, dl.2,10m (HAGS 159 452)  
1x š.0,90m, dl.3,00m (HAGS 159 453)
- 2.4 dřevěné schody s jednostranným zábradlím (po levé straně) - 2ks (napojené za sebou)  
2x š.0,90m, dl.2,10m (HAGS 159 452)
- 2.5 dřevěné schody s oboustranným zábradlím - 1ks  
š.0,90m, dl.3,00m (HAGS 159 463)
- 2.6 dřevěné schody s oboustranným zábradlím - 2ks  
š.0,90m, dl.2,10m (HAGS 159 462)

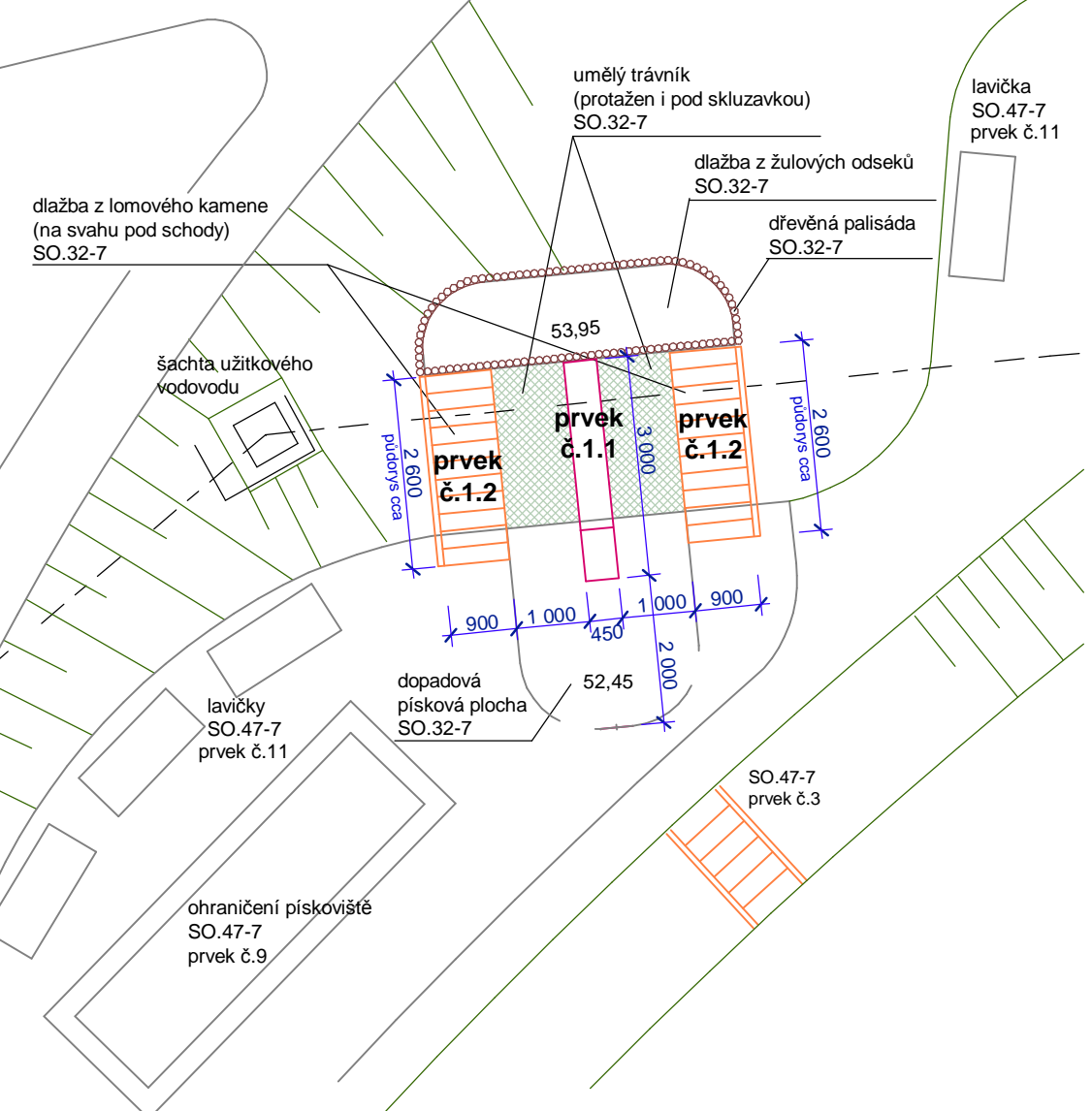
Poznámka  
Uvedený výrobce slouží pro určení standardu prvků

**LEGENDA prvek č.1 ("Malá" sestava)**

- 1.1 skluzavka nerezová s bočnicemi - 1ks  
š. 0,45m, na výšku 1,5m (HAGS 153 633)
- 1.2 dřevěné schody s jednostranným zábradlím - 2ks  
(zrcadlově otočené)  
š. 0,90m, dl. 3,00m (HAGS 159 453)

Poznámka  
Uvedený výrobce slouží pro určení standardu prvků

**prvek č.1 - SO.47-7**  
**(skluzavky - "Malá" sestava)**



**Detailní půdorysy skluzavkových sestav**  
**měřítko 1:100**



**Play value**

The Bouncing Flower is a movement possibility which is great fun, especially when used by several participants. It is easy to enjoy whether jumping and hopping in the same rhythm or even against the rhythm of one's neighbour. The mobile "petals" on the jumping flower are fixed by means of hinges to the centre. Each "petal" can swing up and down thanks to springs. This delightful play equipment is fun for adults as well as for children.

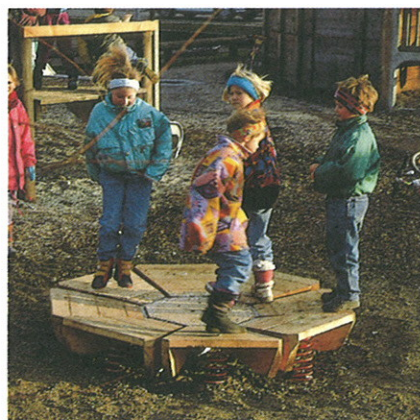


**Suitable**

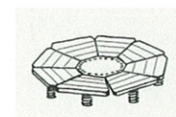
- for all age groups from 4 years
- for public playgrounds
- nurseries
- parks
- open-air swimming pools

**Components**

- 1 equipment item with 8 segments mounted on springs
- 1 foundation frame

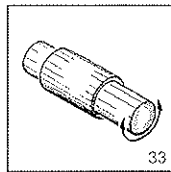
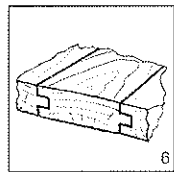
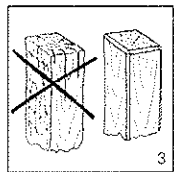
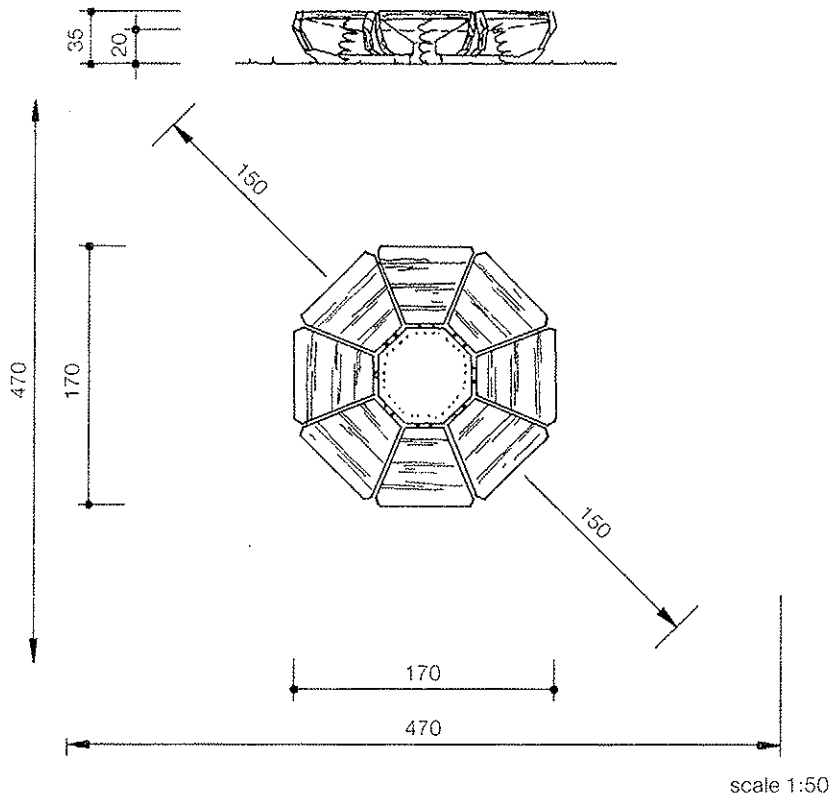


Bouncing Flower



6.06500





For explanation of the quality characteristics see price list

**Access for children with disabilities**

Please refer to the information given in our technical annex.

**Safety conforming to EN 1176/1177:**

- Certification carried-out by TÜV Product Service GmbH and subject to continuous testing.
- Surface requirements in relation to height of fall; please refer to technical data sheets for more detailed information.
- Maintenance instructions supplied with product.

**Technical Information**

- Dimensions (small deviations possible):
 

diameter	1.70 m
height	0.35 m
- Weight:
 

total	approx. 250 kg
biggest component	approx. 230 kg
- Equipment of unimpregnated mountain larch, sawn timbers core-free; measurements refer to wood before planing; segment floors of 45 mm tongue and groove boarding; 8 coated springs; centre plate of fluted metal sheet and supporting frame of hot-dip galvanised; hinges with self-lubricating bushes; steel foundation frame;
- Foundations:
 

foundation frame for 8 foundations	30 x 30 x 50 cm each
------------------------------------	----------------------
- **Exact measurements may vary, for all installation dimensions refer to current installation instructions.**
- Technical changes reserved.



**Access for children with disabilities**  
Please refer to the information given in our technical annexe.

**Safety conforming to EN 1176/1177:**

- Certification carried-out by TÜV Product Service GmbH and subject to continuous testing.
- Surface requirements in relation to height of fall; please refer to technical data sheets for more detailed information.
- Maintenance instructions supplied with product.

**Technical Information**

- Dimensions (small deviations possible):

**Order no. 6.11700**

height 0.55 m  
length 1.55 m

- Weight: approx. 85 kg

- see-saw body of unimpregnated mountain larch;  
see-saw mechanism with rubber buffers; holding grips of hot-dip galvanised round steel;  
support frame hot-dip galvanised;

- Foundations:

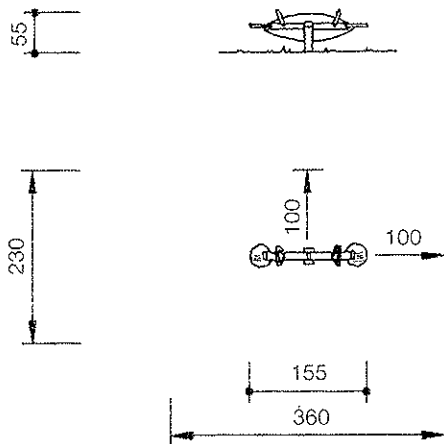
6.11000 1 item 60 x 60 x 80 cm  
6.11500 1 item 60 x 100 x 80 cm  
6.11700 1 item 60 x 70 x 70 cm

- **Exact measurements may vary, for all installation dimensions refer to current installation instructions.**

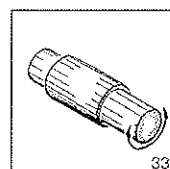
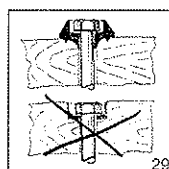
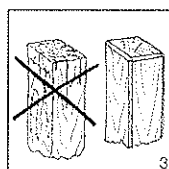
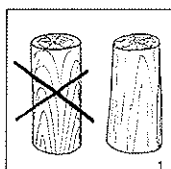
- Technical changes reserved.



**Order no. 6.11700**  
**Small See-saw**



scale 1:100



For explanation of the quality characteristics see price list

**Play value**

The Rocker is especially fun when several children set it in motion by moving around on it. The centre pole is ideal for holding on to and enjoying the fun even when the rocker is dipping sharply, because the weights are unevenly placed. The small platform is fastened to the foundation by three springs and is very durable.

**Suitable**

- for children from 5 to 10 years
- for public playgrounds
  - children's homes
  - school yards
  - leisure areas
  - open-air swimming pools
  - pedestrian areas
- for bouncing, shaking, wobbling

**Components**

1 rocker complete with 3 springs and foundation frame



Rocker



6.04000

**Access for children with disabilities**

Please refer to the information given in our technical annexe.

**Safety conforming to EN 1176/1177:**

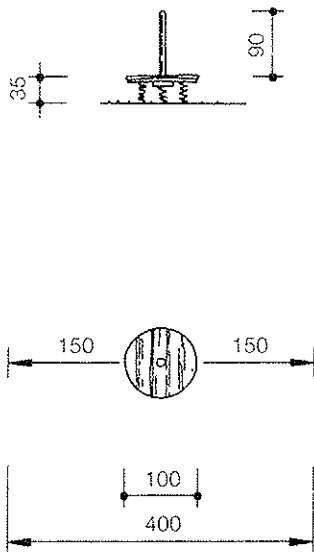
- Certification carried-out by TÜV Product Service GmbH and subject to continuous testing.
- Surface requirements in relation to height of fall; please refer to technical data sheets for more detailed information.
- Maintenance instructions supplied with product.

**Technical Information**

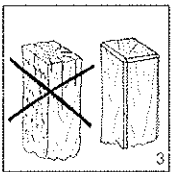
- Dimensions (small deviations possible):
 

ground surface diameter	1.00 m
height	0.35 m
height, total	1.25 m
- Weight:
 

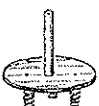
total	approx. 60 kg
-------	---------------
- Equipment of unimpregnated mountain larch, sawn timbers core-free and planed; measurements refer to wood before planing;
  - plate of 45 mm tongue and groove boarding, screwed together with expansion joints;
  - round pole, diameter 80 mm;
  - fastening elements galvanised;
  - 3 coated springs;
  - foundation frame hot-dip galvanised;
- Foundations:
  - 1 item diameter 80 cm, 30 cm deep
- **Exact measurements may vary, for all installation dimensions refer to current installation instructions.**
- Technical changes reserved.



scale 1:100



For explanation of the quality characteristics see price list



**Play value**

The Whirligig in the carousel group is effective for small children because of its friendly appearance and child proportions. Even a little energy is sufficient to turn the Whirligig, with or without passenger. If passengers stand on the foot ring they can influence the rotational speed by moving their centre of gravity. They can hold onto the arms or the collar and turn each other with the Whirligig. Bigger children like to find a place on the collar and enjoy the lofty ride. On this children's carousel children can learn about centrifugal forces while playing.

**Suitable**

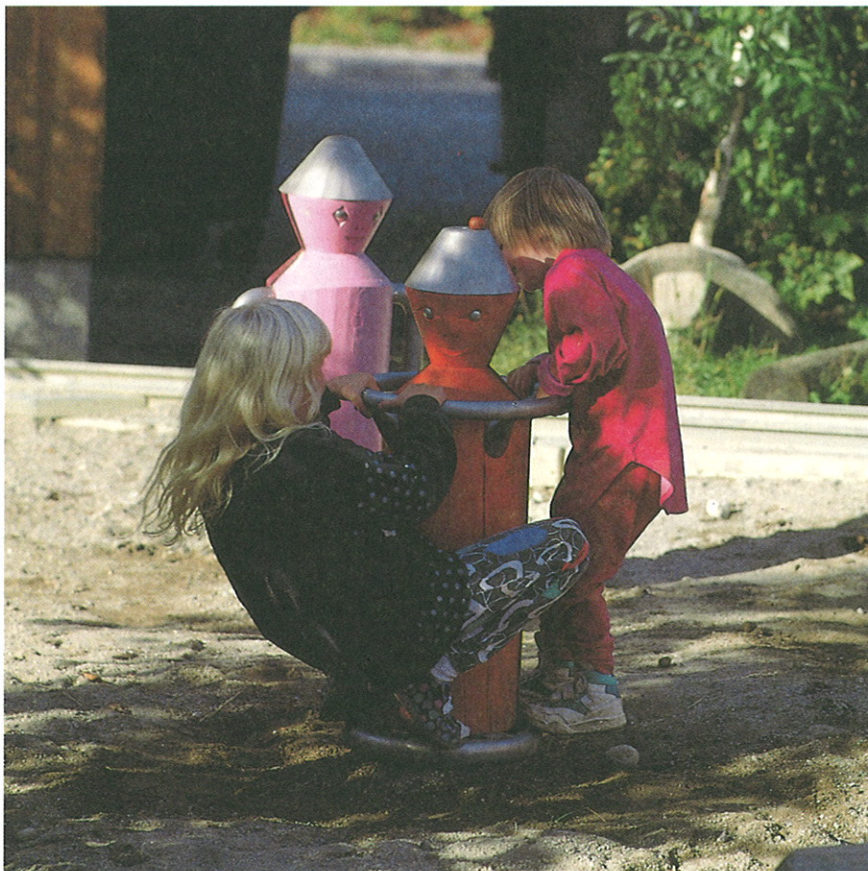
- for children from 3 to 6 years
- for toddler areas of:
  - nurseries
  - public playgrounds
  - open-air swimming pools
  - leisure areas
  - pedestrian zones

**Components**

- 1 whirligig with axis and support foot
- 1 pre-cast concrete foundation



Order no. 6.28004 red/orange with collar



Whirligig with Collar  
Whirligig with Arms



Order no. 6.28000 light blue/blue with collar  
Order no. 6.28106 purple/pink with arms

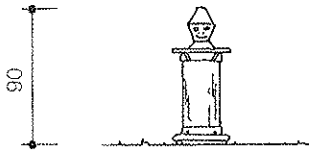


6.28000 to 6.28006

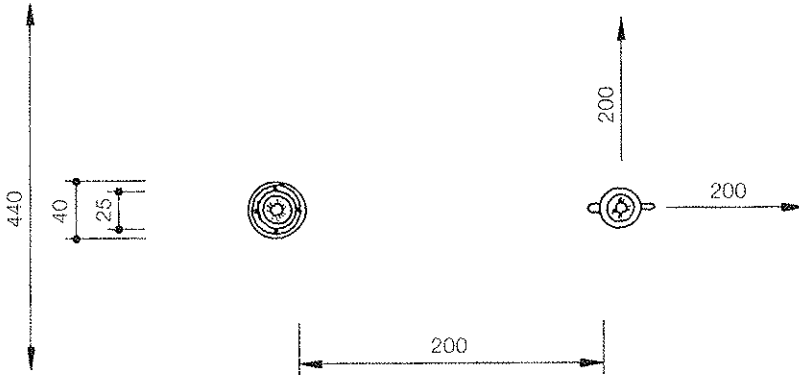
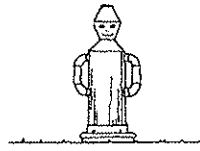


6.28100 to 6.28106

Order no. 6.28000  
Whirligig with collar



Order no. 6.28100  
Whirligig with arms



scale 1:50

**Access for children with disabilities**

Please refer to the information given in our technical annex.

**Safety conforming to EN 1176/1177:**

- Certification carried-out by TÜV Product Service GmbH and subject to continuous testing.
- Surface requirements in relation to height of fall; please refer to technical data sheets for more detailed information.
- Maintenance instructions supplied with product.

**Technical Information:**

- Dimensions (small deviations possible):  
equipment height 0.90 m  
diameter approx. 0.40 m
- Weight:  
total approx. 160 kg  
biggest component approx. 110 kg
- Turning body lathe-turned from one piece of unimpregnated mountain larch; the wood is dry-split and screwed back together with a rubber lamina, thereby preventing the solid timber from splitting; all visible metal parts of stainless steel; with double polyamide bearings; solvent-free acrylic paints are used for colouring; the wood is processed in a way which allows the structure of the wood to remain clearly visible;
- Foundations:  
1 pre-cast concrete foundation

**Attention:**

- **Exact measurements may vary, for all installation dimensions refer to current installation instructions.**
- Technical changes reserved.



**Play value**

The little horse makes a swinging and rocking movement possible for little ones. The wooden body of the horse is fastened to a strong leaf spring. When pushed by the weight of the rider, the body rocks forwards and backwards. A restricting chain prevents excessive rocking and the over-extension of the spring.

The little horse raises and lowers its head and through the strength of the rider a harmonious rocking cycle results which cannot be compared to ordinary upward and downward movement. If several horses stand together, a race or other role-play develops.

**Suitable**

- for children from 3 to 6 years
- for playgrounds for small children  
playgrounds near houses  
nurseries and children's homes  
public playgrounds
- for swinging and see-sawing  
for role play

**Components:**

1 horse body, mounted on leaf spring  
with plastic coating

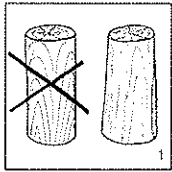
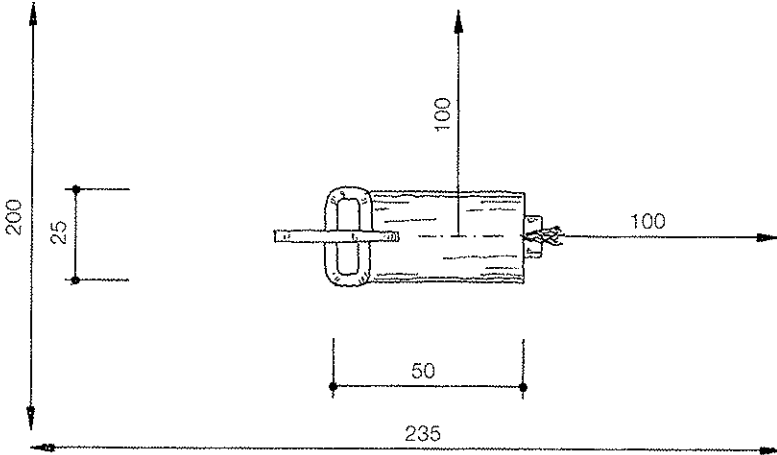
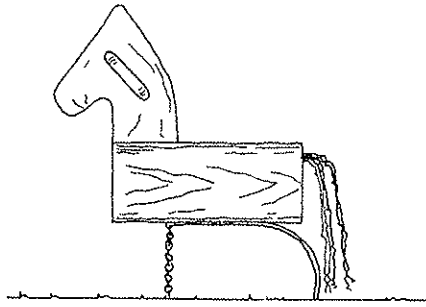
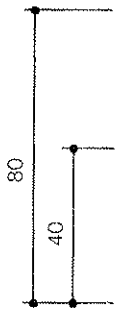
pre-fabricated foundation  
Order no. 4.24160



Swinging Horse



scale 1:20



For explanation of the quality characteristics see price list

**Access for children with disabilities**

Please refer to the information given in our technical annex.

**Safety conforming to EN 1176/1177:**

- Certification carried-out by TÜV Product Service GmbH and subject to continuous testing.
- Surface requirements in relation to height of fall; please refer to technical data sheets for more detailed information.
- Maintenance instructions supplied with product.

**Technical Information**

- Dimensions (small deviations possible):
 

length	0.80 m
height	0.80 m
leaf spring	100 x 8 mm
- Weight: approx. 25 kg
- Horse body of de-barked, unimpregnated mountain larch with relief cut; head of water-proof plywood of mountain larch, 30 mm; leaf spring sand-blasted, hardened and coated; chains, 6 mm, welded before hot-dip galvanisation;
- Foundations:
 

1 item	30 x 50 x 30 cm
--------	-----------------

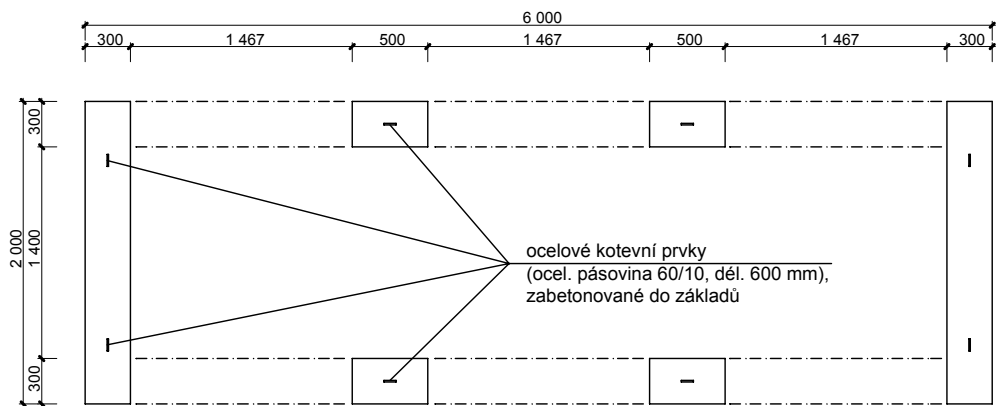
 or pre-fabricated foundation  
 Order no. 4.24160

**Attention:**

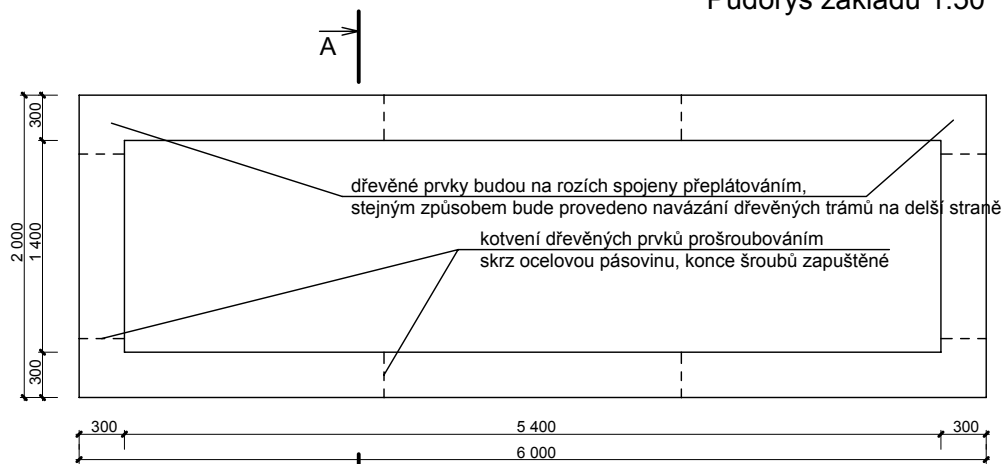
- **Exact measurements may vary, for all installation dimensions refer to current installation instructions.**
- Technical changes reserved.



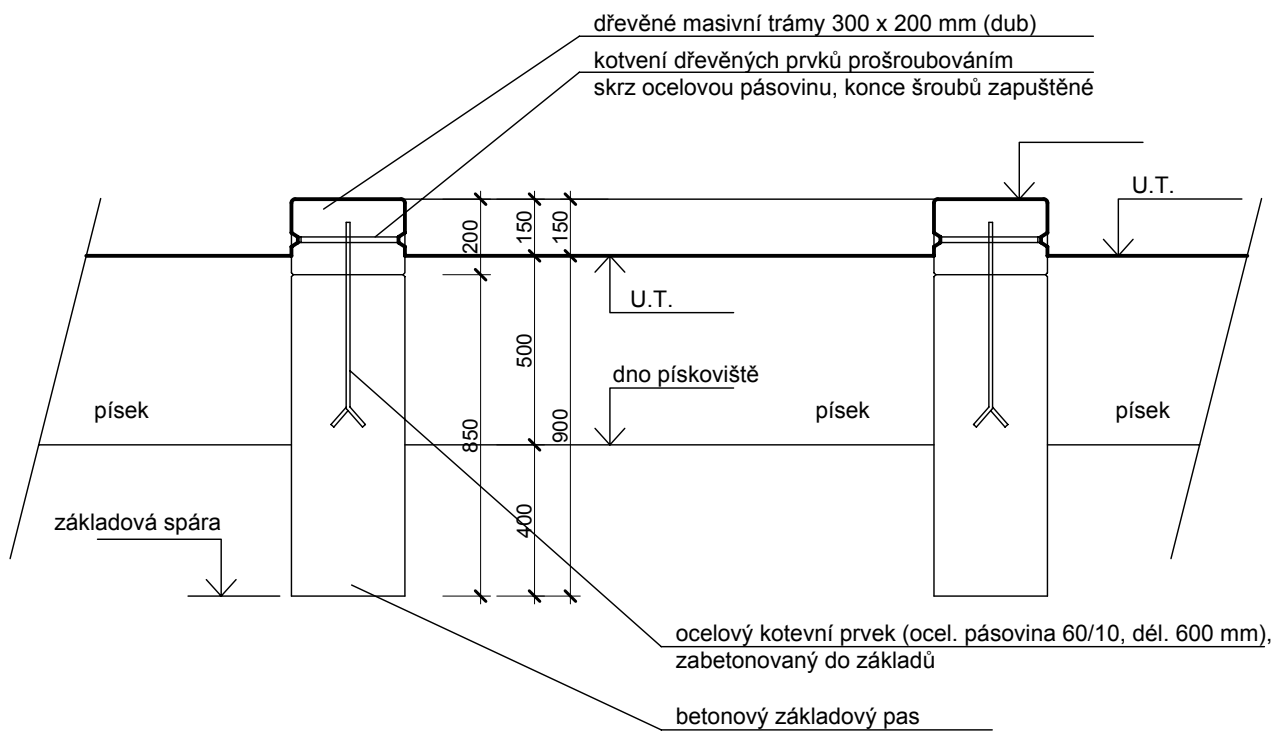




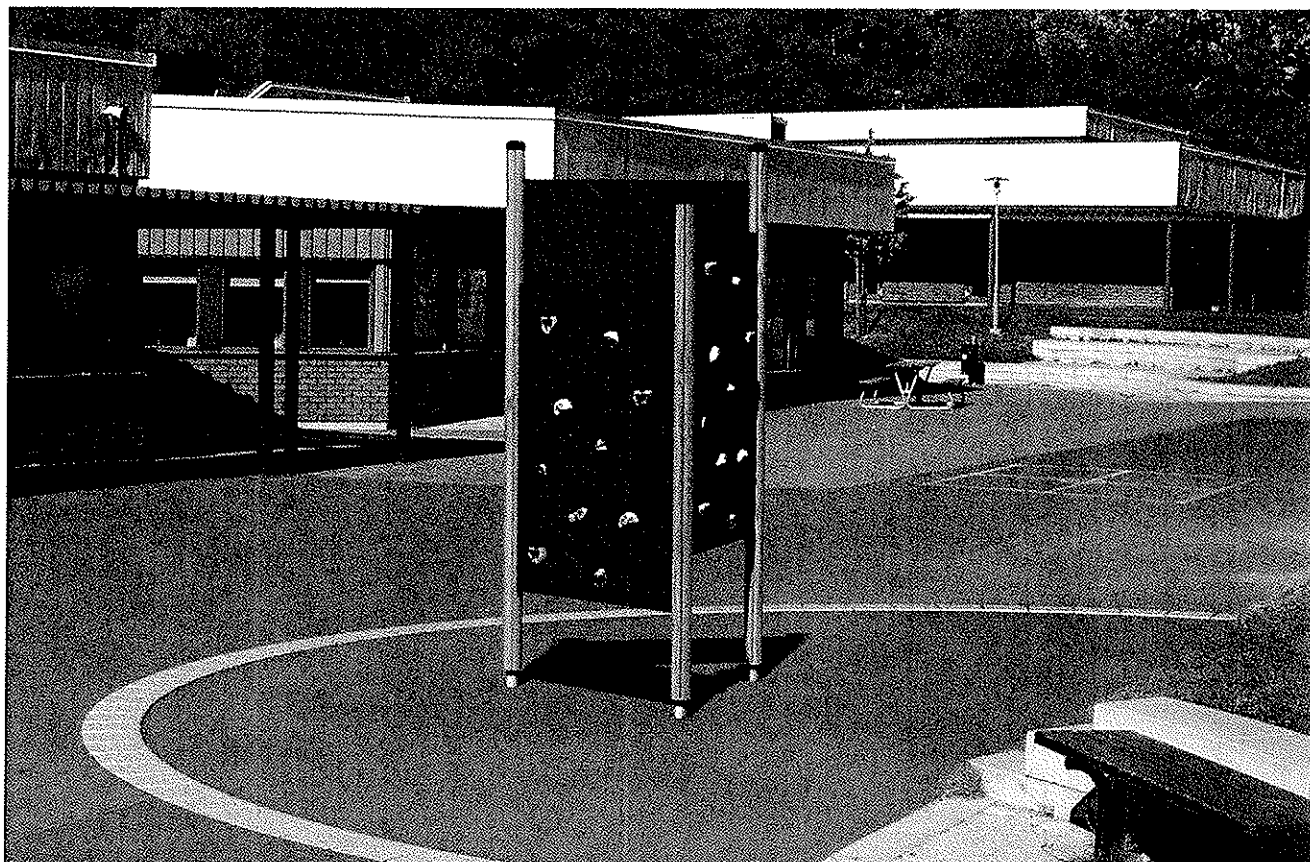
Půdorys základů 1:50



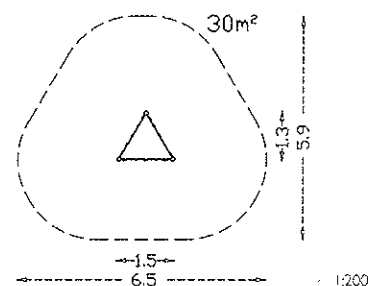
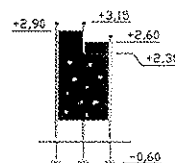
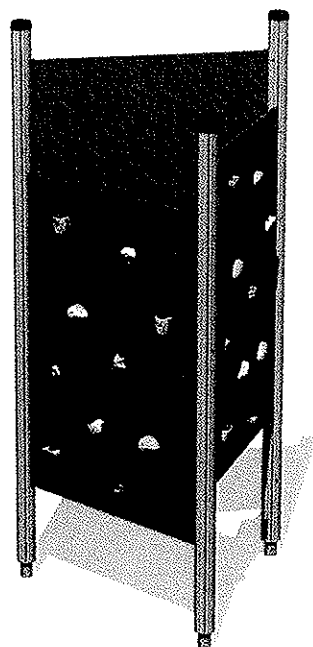
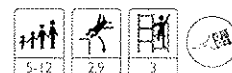
Půdorys dřevěného ohraničení pískoviště 1:50



Příčný řez A - A 1:20



HAGS 408 173 Woodstock



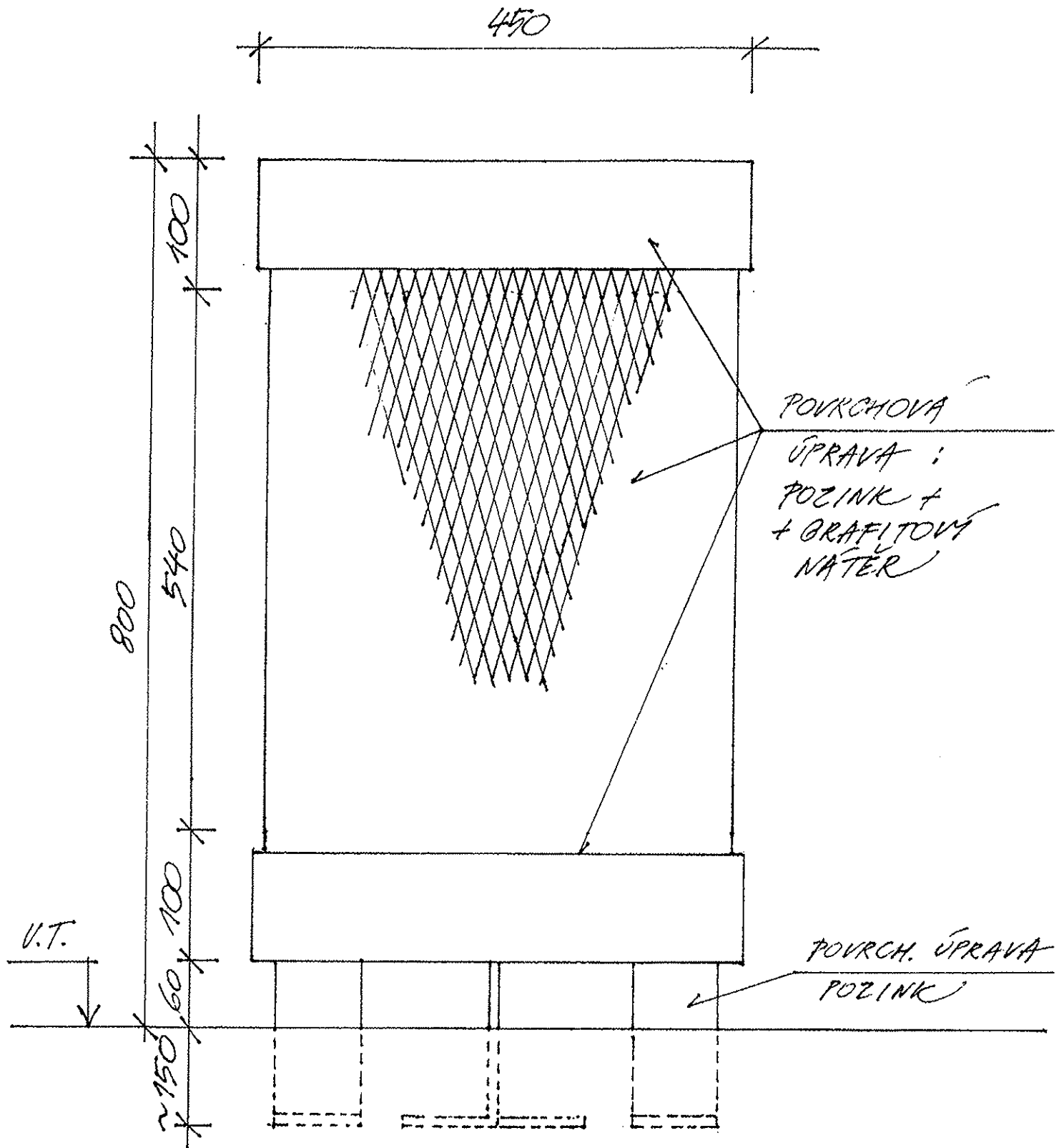
### Prvek č. 10 Lezecká stěna na stěně domu.

Z typové lezecké stěny Woodstock (výrobek firmy HAGS, kat.č. 408 173) bude převzato pouze řešení chytů (výběr konkrétních tvarů a rozmístění prvků včetně způsobu kotvení) bez vlastní nosné konstrukce! Chytý budou kotveny na stěnu domu!



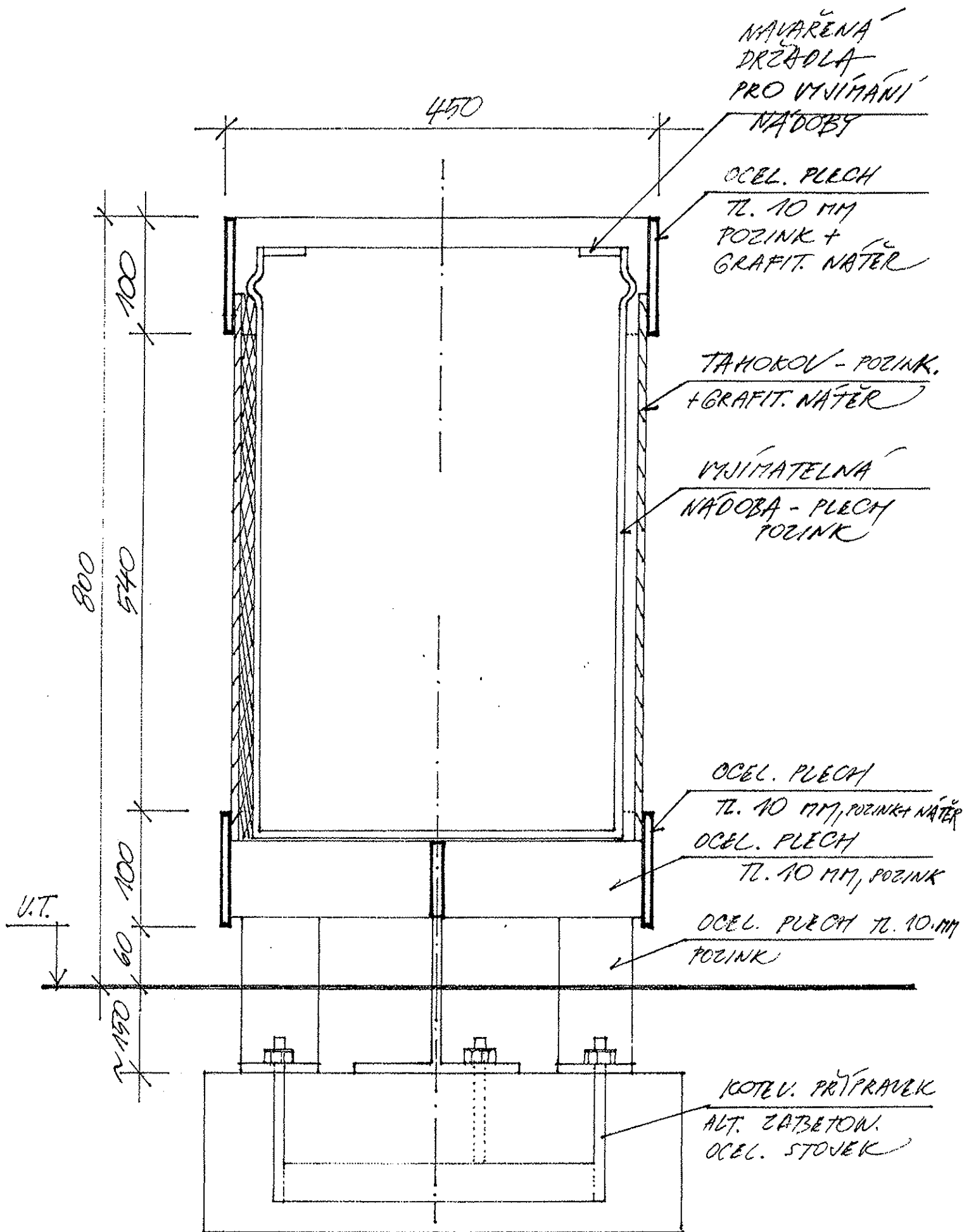
**Prvek č. 11** Dřevěná parková lavice

Výrobce firma GEMINI, ing. Robert Blíženeč, Paseky 25, 373 33 Nové Hradky



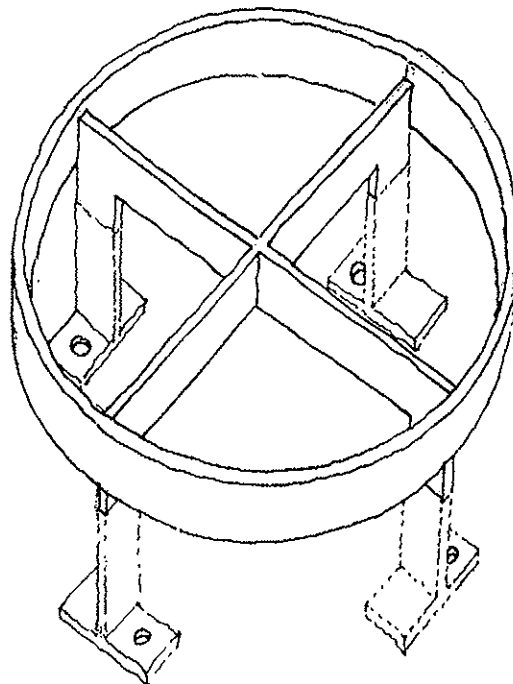
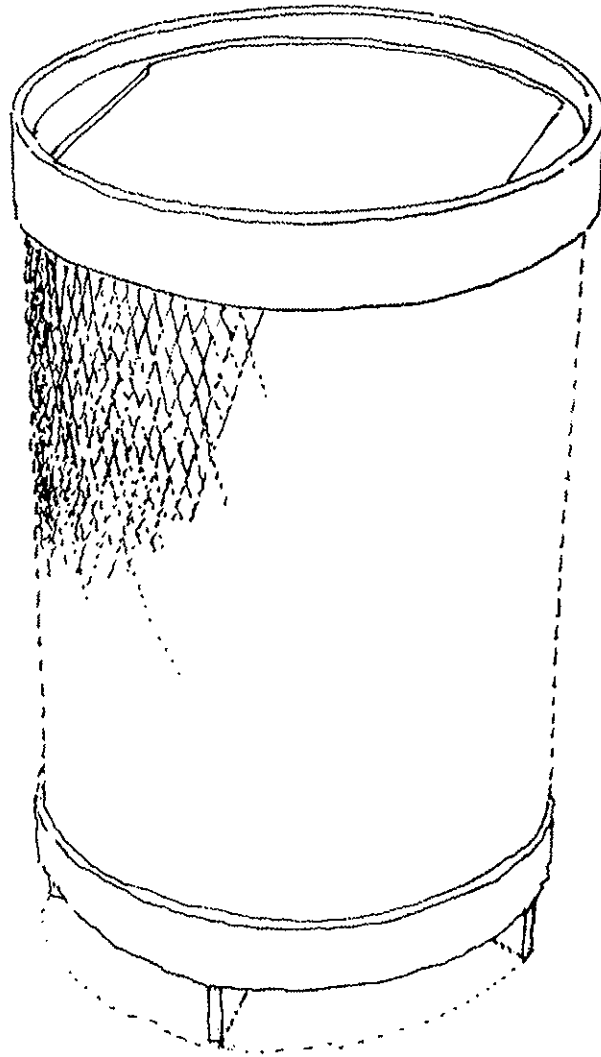
Prvek č. 12

Odpadkový koš  
Pohled 1:5



Prvek č. 12

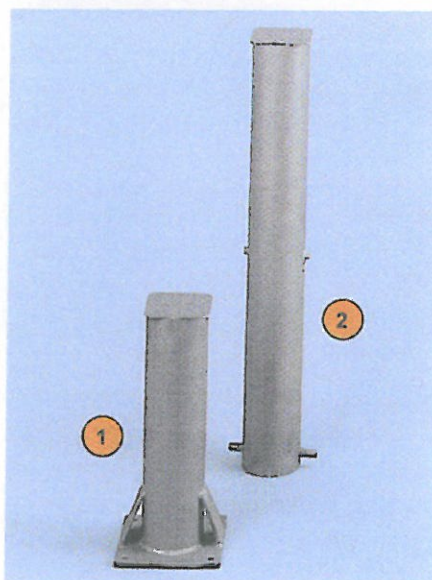
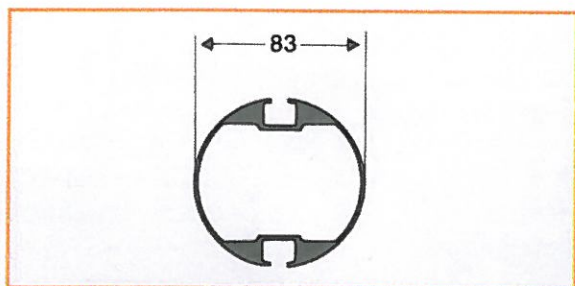
Odpadkový koš  
 Řez 1:5



**Prvek č. 12**

**Odpadkový koš**

Celkový pohled, schema spodní části (kotvení)



**Prvek č. 13** Volejbalové sloupky vč. kotvení (zabetonovaná zemní pouzdra)  
+ herní síť